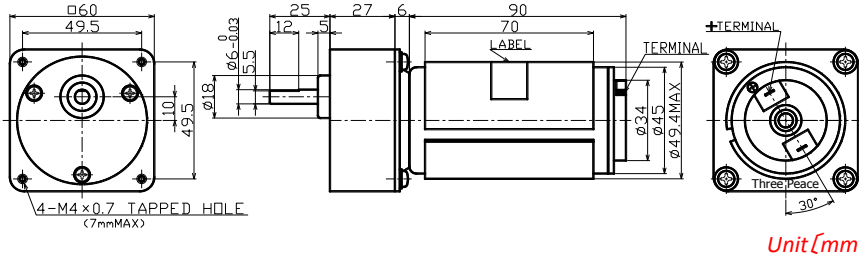


TP-4990-CE series

Output[w] **25**



CE

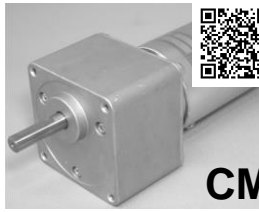


Unit [mm]

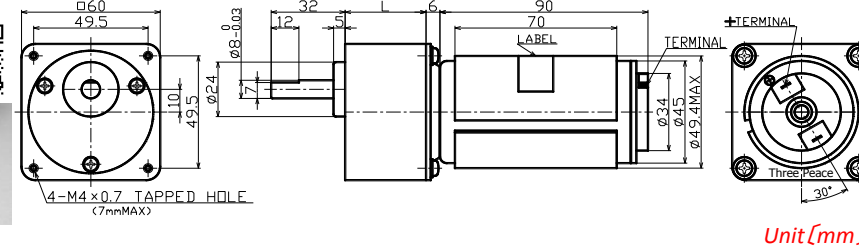
Gear ratio	1/5~1/1000
Torque[mN·m]	245~980
Speed[r/min]	695~3.8
Voltage[V]	24

TP-4990-CM series

Output[w] **25**



CM

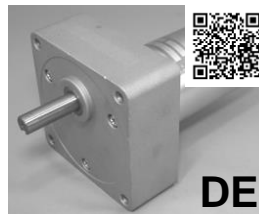


Unit [mm]

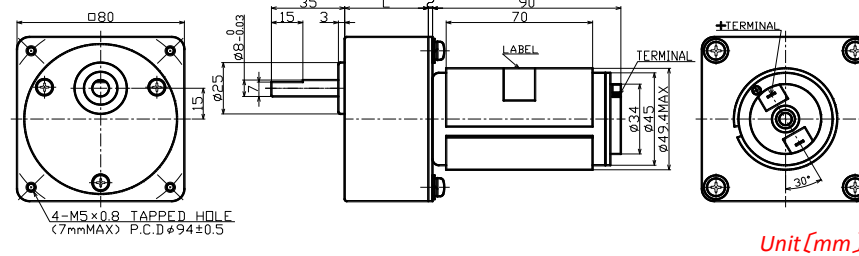
Gear ratio	1/5~1/180
Torque[mN·m]	245~2450
Speed[r/min]	695~20.6
Voltage[V]	24

TP-4990-DE series

Output[w] **25**



DE



Unit [mm]

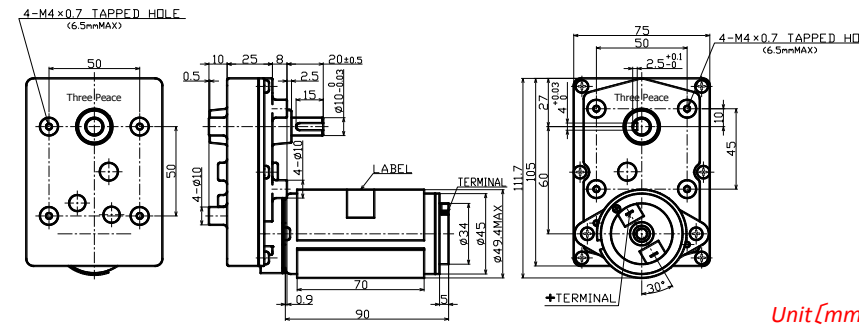
Gear ratio	1/5~1/1800
Torque[mN·m]	245~3920
Speed[r/min]	695~2.1
Voltage[V]	24

TP-4990-LG series

Output[w] **25**



LG



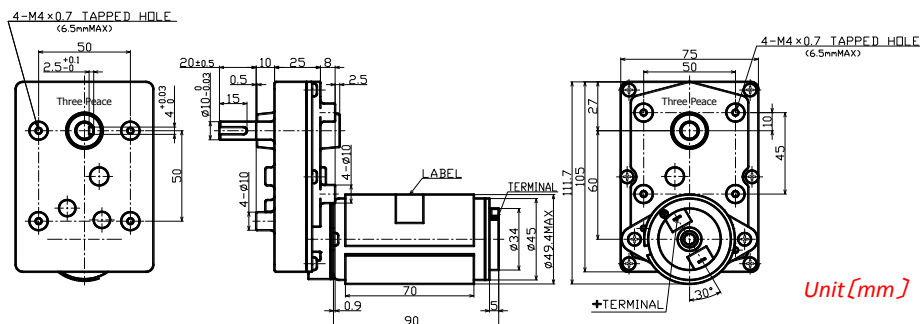
Unit [mm]

Gear ratio	1/6~1/1000
Torque[mN·m]	294~7840
Speed[r/min]	573~3.8
Voltage[V]	24

TP-4990-LGL series



LGL



Unit [mm]