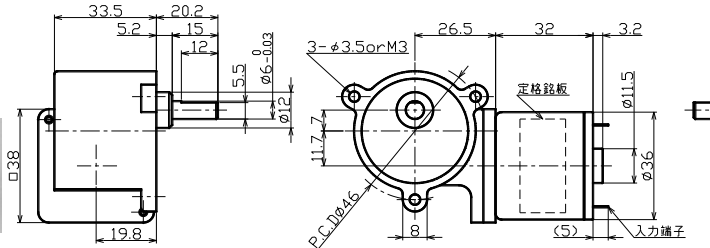
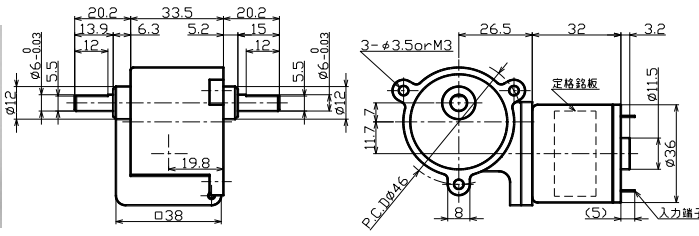
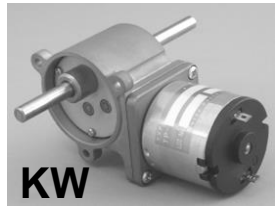


TP-3632-KW・KWR series

Output[w] 3.3~6.7



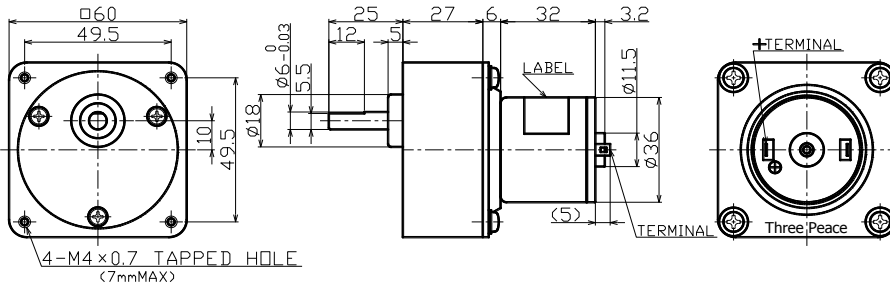
<b>Gear ratio</b>	1/25~1/1500
<b>Torque[mN·m]</b>	58.8~588
<b>Speed[r/min]</b>	327~3.9
<b>Voltage[V]</b>	24



Unit[mm]

TP-3632-CE series

Output[w] 3.3~6.7

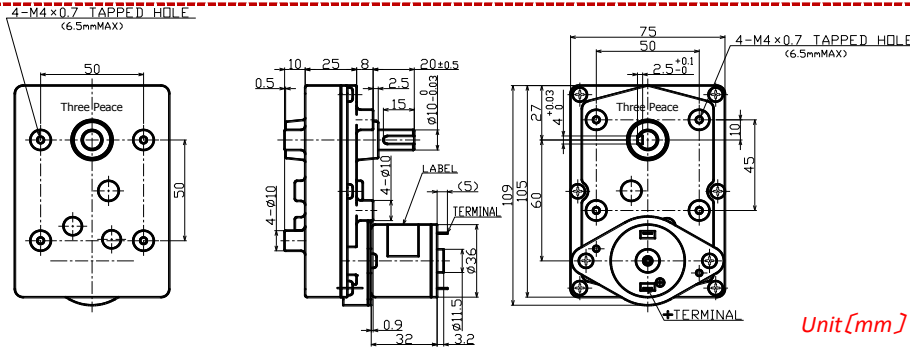


<b>Gear ratio</b>	1/5~1/1000
<b>Torque[mN·m]</b>	19.6~980
<b>Speed[r/min]</b>	1,664~6.1
<b>Voltage[V]</b>	24

Unit[mm]

TP-3632-LG series

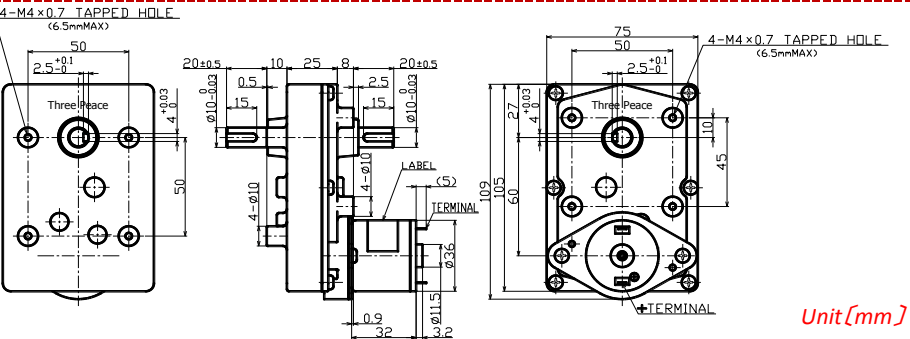
Output[w] 3.3~6.7



<b>Gear ratio</b>	1/6~1/1000
<b>Torque[mN·m]</b>	19.6~4606
<b>Speed[r/min]</b>	1,400~5.5
<b>Voltage[V]</b>	24

Unit[mm]

TP-3632-LGL series



Unit[mm]